

STANDARD AIR-COOLED

3-30 Ton Cooling Capacity

*For use with Water or
Water/Glycol Fluids*

STANDARD FEATURES

- Single Air-Cooled Refrigeration Circuit
- Self-Contained Open to Atmosphere Hydronic System
- Micro-channel Condenser
- Stainless Steel Centrifugal Pump
- Scroll Compressor
- Non-fused Disconnect
- Stainless Steel Brazed Plate Evaporator
- Hotgas Evaporator Freeze Protection
- Non-Ferrous Piping
- Vertical Air Discharge
- Manual Bypass Valve
- Polyethylene Reservoir
- Microprocessor Based Controller
- Outlet Pressure Gauge
- Textured Powder Coated Cabinet
- NEMA12 Electrical Enclosure
- Indoor Rated
- UL1995 Listed
- 40 °F to 120 °F Operating Ambient
- Cleanable Air Filter
- Interchangeable Filter Panels (3-10 ton only)
- Fluid Level Sight Glass
- 18 Month Parts & Labor Warranty
- 24/7 Customer Support

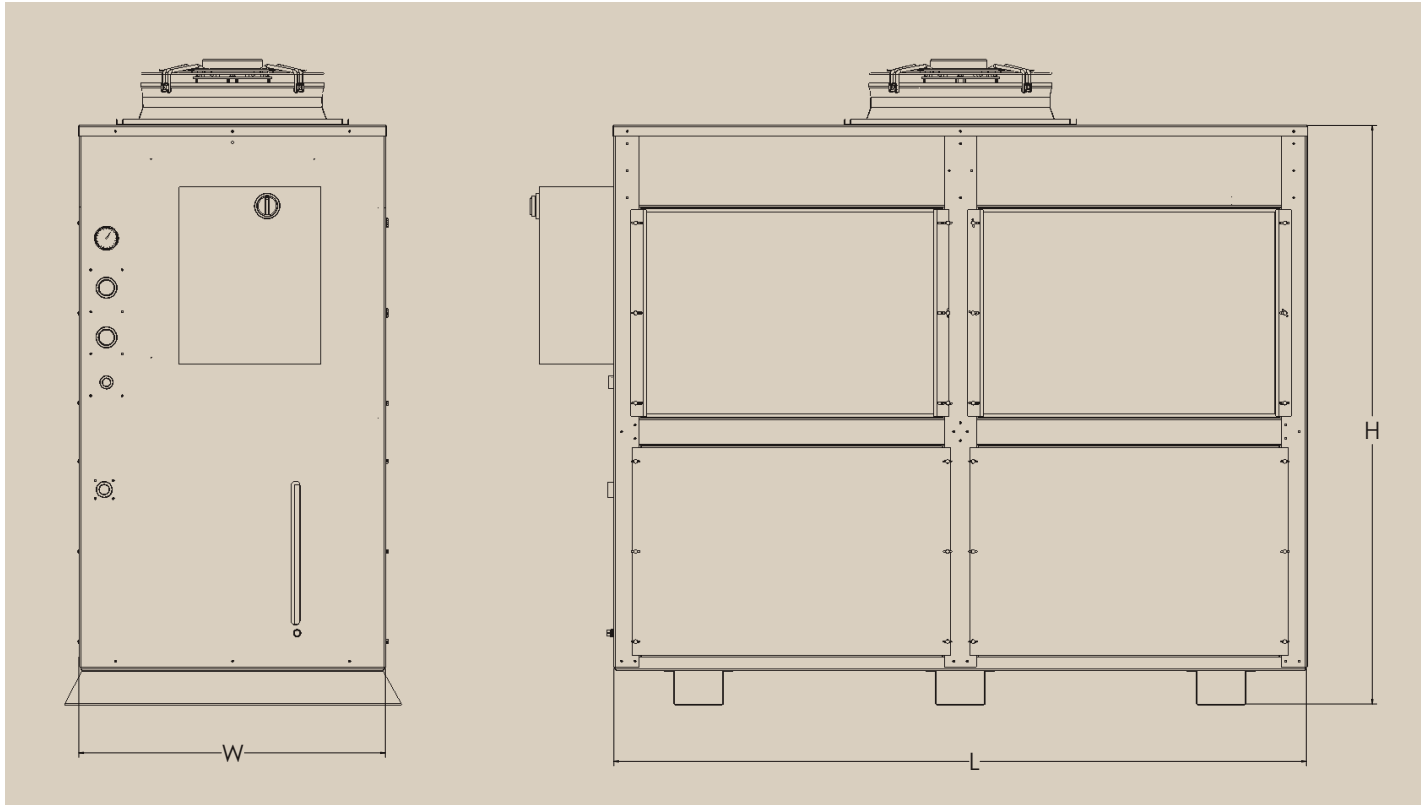


OPTIONAL FEATURES

- Insulated Tank/Piping
- Remote Control Panel
- Upgraded Controller
- UL508a Model
- Control Interface
- Voltage Options
- Anti-Backflow Kit
- Auto-Water Make Up Valve
- Digital Scroll Compressor
- Hot Gas Bypass
- Liquid Level Warning
- Remote Condenser
- Water-Cooled Condenser
- Pressure Relief Bypass Valve
- Fluid Filter
- Casters
- Salt Water Packages
- Multiple Hydronic Loops
- Pump upgrades for increased flow/pressure
- Outdoor Rated (-20° to 120 °F)
- Ultra-Low Ambient Package (to -40 °F)



ET SERIES CHILLER SPECIFICATIONS



Model	Electrical	Width (in.)	Length (in.)	Height (in.)	Supply/Return (in.)	Nominal Ton/HP	MCA (A)	MOP (A)	Reservoir (gal.)	BTU/hr at 45°F LWT @ 100 F Ambient*	BTU/hr @ 65F LWT @ 100°F Ambient*
JTS-U-ET-3SIA	460/60/3	26	46	59	1.0	3	12.0	15	40	32,700	41,800
	230/60/3				1.0	3	24.4	35	40	32,700	41,800
JTS-U-ET-5SIA	460/60/3	26	46	59	1.0	5	16.6	25	40	58,000	72,000
	230/60/3				1.0	5	31.6	50	40	58,000	72,000
JTS-U-ET-7SIA	460/60/3	34	72	76	1.5	7.5	22.1	30	65	85,300	109,000
	230/60/3				1.5	7.5	45.8	70	65	85,300	109,000
JTS-U-ET-10SIA	460/60/3	34	72	76	1.5	10	33.4	50	65	116,000	149,000
	230/60/3				1.5	10	65.3	100	65	116,000	149,000
JTS-U-ET-15SIA	460/60/3	34	79	79	2	15	43	60	100	173,900	219,000
	230/60/3				2	15	89.5	125	100	173,900	219,000
JTS-U-ET-20SIA	460/60/3	34	79	79	2	20	61.7	80	100	232,000	284,000
	230/60/3				2	20	108.7	125	100	232,000	284,000
JTS-U-ET-30SIA	460/60/3	34	100	89	2	30	81.4	100	100	347,800	438,000
	230/60/3				2	30	170.6	225	100	347,800	438,000

*Capacity ratings based on 30% glycol solution.